

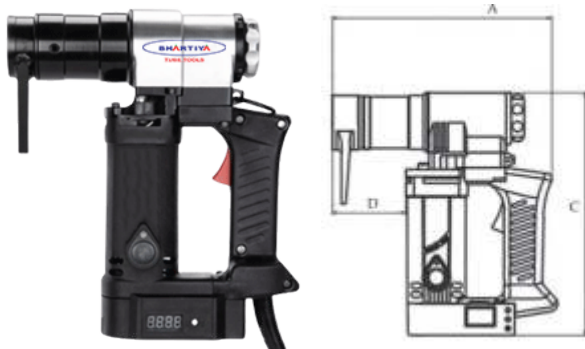
EWH SERIES

BHARTIYA

TUBE TOOLS

Electric torque wrench is designed to install heavy hex structural bolts, non-impact, electricity. It has square drive end so that same machine can be used for different hexagon nut by using suitable socket. It shuts off when the torque requirements is reached. The tools offers a non-reactive torque controlled option for hex bolt installation. This series of wrenches adopts German motors. Strong power, Durable and Stable performance are its famous features.

These tools are used for a variety of different tasks across many industries – including home repairs and maintenance, automotive and construction. It's important to always use this tool in applications where screws and bolts must be secure and tight. These tools allow the user to measure the amount of pressure being applied to fasteners, to ensure it matches the recommended specifications for the job.



Product Analysis



EWH SERIES

FEATURES:

- Available with both direction forward and reverse.
- Shortest profile and compact socket make accessible to bolts at any narrow space.
- Easy switch directions Applying reaction arm to closet object, Tighten up to target torque.
- Perfect solution for your work at narrow space.
- Easily set your target torque with dial on the Controller.
- Versatile performance of our electric torque wrench for bridge construction, steel fabrication and any kind of heavy industry.
- Ultra compact socket with an integrated reaction arm.

APPLICATION:

Model No.	Torque (Nm)	Speed (Rpm)	Weight (Kg)	Direct Hex Available	Diameter D	Overall Length A (mm)	Overall Width C (mm)
EWH-3	100-300	28	4	M10,M12,M16	80	240	267
EWH-5	200-500	20	4.2	M12,M16,M20	111	271	267
EWH-7	300-700	18	4.6	M16,M20,M22	54	221	269
EWH-9	400-900	16	5.1	M20,M22,M24	71	238	275
EWH-12	500-1200	14	6.3	M22,M24,M27	50	225	287
EWH-17	800-1700	12	7	M24,M27,M30	81	286	287
EWH-21	1000-2100	10	7.2	M27,M30,M33	95	274	286
EWH-25	1100-2500	5	9	M30,M33,M36	107	283	293
EWH-35	1700-3500	4.5	15	M33,M36,M42	107	283	293